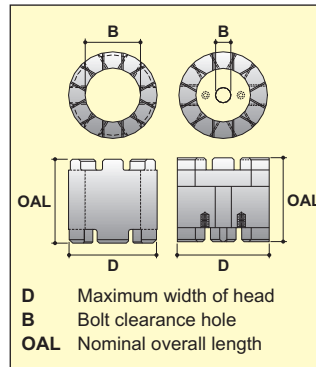


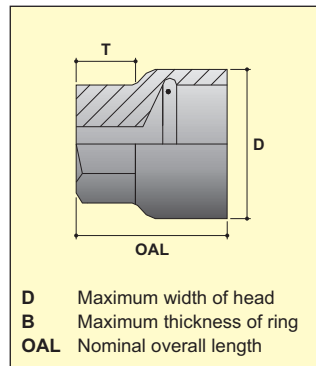
NOMINAL SIZE	MODEL NO.	B inch	D inch	OAL inch	Wt. Kg.
2.1/4	141B8001	2.1/8	3.1/2	3.5/8	2.530
2.1/2	141B8002	2.3/8	3.7/8	3.7/8	3.300
2.3/4	141B8003	2.5/8	4.1/4	4.3/8	6.200
3	141B8004	1.7/8	4.5/8	4.3/8	6.800
3.1/2	141B8005	1.3/8	5.3/8	5.3/8	10.800
4	141B8006	1.7/8	6.1/8	5.7/8	15.650
4.1/2	141B8007	4.3/8	6.7/8	6.5/8	18.890
5	141B8008	2.1/8	7.5/8	7.1/8	29.000
5.1/2	141B8009	3.5/8	8.3/8	8.1/8	38.500
6	141B8010	3.7/8	9.1/4	8.5/8	50.000
2.1/2	141B8011	2.3/8	3.7/8	18	12.500
2.1/2	141B8012	2.3/8	3.7/8	24	18.900
3.3/4	141B8013	1.13/16	5.3/4	5.5/8	15.000
4	141B8014	1.7/8	6.1/8	23.5/8	79.000
7	141B8015	4.7/8	10.5/8	10	8.600
1.3/4	141B8016	1.5/8	2.3/4	2.5/8	1.150
2	141B8017	1.7/8	3.1/8	2.7/8	1.630
4	141B8018	3.7/8	6.1/8	23.5/8	52.000
4	141B8019	3.7/8	6.1/8	5.7/8	11.840
3.1/2	141B8020	3.3/8	5.3/8	5.3/8	8.500

SPANNER WRENCH SOCKET



A / F inch	MODEL NO.	T inch	D inch	OAL inch	Wt. Kg.
1.11/16	M968914	7/8	2.5/8	2.3/8	0.720
1.7/8	M968915	1	2.5/8	2.5/8	0.960
2.1/16	M968916	1.1/16	2.7/8	2.15/16	1.325
2.1/4	M968917	1.1/8	3.1/8	3.1/8	1.640
2.7/16	M968918	1.1/4	3.5/8	3.5/8	2.000
2.5/8	M968919	1.5/16	3.5/8	3.9/16	2.480
2.13/16	M968920	1.3/8	3.7/8	3.3/4	2.850
3	M968921	1.1/2	4.1/8	4	3.240
3.3/8	M968922	1.5/8	4.5/8	4.3/8	3.720
3.3/4	M968923	1.7/8	5.1/8	4.7/8	6.310
4.1/8	M968924	2	5.3/4	5.1/4	8.500
4.1/2	M968925	2.1/8	6.1/8	5.3/4	10.710
4.7/8	M968926	2.3/8	6.5/8	6.1/4	12.800
5.1/4	M968927	2.1/2	7.1/8	6.5/8	16.000
5.5/8	M968928	2.5/8	7.3/4	7.1/8	20.000
6	M968929	2.3/4	8.1/8	7.1/2	24.000
6.3/4	M968930	3	9.1/8	8.3/8	29.000
7.1/2	M968931	3.1/2	10.1/8	9.1/2	34.000

WRENCH SOCKET



NOMINAL SIZE	MODEL NO.	B inch	D inch	OAL inch	Wt. Kg.
2.3/4	141B8101	2.5/8	4.1/4	11.1/8	3.200
3	141B8102	2.7/8	4.5/8	12.5/16	4.000
3.1/2	141B8103	3.3/8	5.3/8	13.7/8	6.500
4	141B8104	3.7/8	6.1/8	15.1/16	8.000
4.1/2	141B8105	4.3/8	6.7/8	16.7/16	10.000
5	141B8106	4.7/8	7.5/8	18.1/18	13.500
5.1/2	141B8107	5.3/8	8.3/8	19.3/16	15.000
6	141B8108	5.7/8	9.1/4	20.5/8	19.000
2.1/4	141B8109	2.1/8	3.1/2	10.1/8	2.600
2.1/2	141B8110	2.3/8	3.7/8	10.1/4	3.100
3.3/4	141B8111	3.13/16	5.3/4	14.3/8	7.800
1.3/4	141B8112	1.5/8	2.3/4	8.13/16	2.100
3.1/8	141B8113	1.7/8	3.1/8	10.1/2	2.500
10.5/8	141B8114	6.7/8	10.5/8	22.5/16	30.000

SPANNER SLEDGING WRENCH

