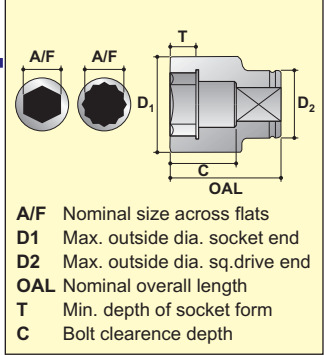
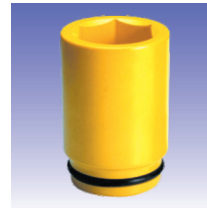
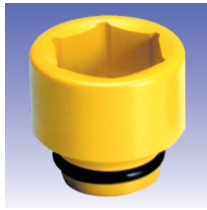




IMPACT SOCKETS



METRIC # 5 SPLINE

A/F mm	MODEL NO.	D1 mm	D2 mm	T mm	C mm	OAL mm
19	S-95M19	48.0	56.0	16.0	35.0	68.0
20	S-95M20	48.0	56.0	16.0	35.0	68.0
21	S-95M21	48.0	56.0	16.0	35.0	68.0
22	S-95M22	48.0	56.0	16.0	35.0	68.0
23	S-95M23	48.0	56.0	16.0	35.0	68.0
24	S-95M24	48.0	56.0	16.0	35.0	68.0
25	S-95M25	50.0	56.0	18.0	37.0	70.0
26	S-95M26	50.0	56.0	18.0	37.0	70.0
27	S-95M27	52.0	56.0	20.0	39.0	72.0
28	S-95M28	52.0	56.0	20.0	39.0	72.0
29	S-95M29	53.0	56.0	22.0	41.0	74.0
30	S-95M30	53.5	56.0	22.0	41.0	74.0
31	S-95M31	54.0	56.0	22.0	41.0	74.0
32	S-95M32	54.0	56.0	22.0	41.0	74.0
33	S-95M33	58.0	56.0	22.0	41.0	74.0
34	S-95M34	58.0	56.0	22.0	41.0	74.0
35	S-95M35	59.8	56.0	25.0	44.0	77.0
36	S-95M36	64.0	56.0	25.0	44.0	77.0
37	S-95M37	63.0	56.0	25.0	44.0	77.0
38	S-95M38	63.5	56.0	25.0	44.0	77.0
39	S-95M39	64.0	56.0	25.0	44.0	77.0
40	S-95M40	64.0	56.0	25.0	44.0	77.0
41	S-95M41	68.0	56.0	28.0	47.0	80.0
42	S-95M42	68.0	56.0	28.0	47.0	80.0
43	S-95M43	68.0	56.0	28.0	47.0	80.0
44	S-95M44	73.0	56.0	28.0	49.0	82.0
45	S-95M45	73.0	56.0	28.0	49.0	82.0
46	S-95M46	73.0	56.0	28.0	49.0	82.0
47	S-95M47	73.0	56.0	28.0	49.0	82.0
48	S-95M48	77.0	56.0	28.0	49.0	82.0
49	S-95M49	77.3	56.0	28.0	51.0	84.0
50	S-95M50	78.0	56.0	28.0	51.0	84.0
51	S-95M51	78.0	56.0	30.0	53.0	86.0
52	S-95M52	82.0	56.0	30.0	53.0	86.0
54	S-95M54	82.0	56.0	30.0	53.0	86.0
55	S-95M55	86.0	56.0	34.0	59.0	92.0
56	S-95M56	86.0	56.0	34.0	59.0	92.0
57	S-95M57	88.0	86.0	34.0	59.0	92.0
58	S-95M58	88.0	86.0	34.0	59.0	92.0
59	S-95M59	88.0	86.0	34.0	59.0	92.0
60	S-95M60	88.0	86.0	36.0	61.0	94.0
61	S-95M61	92.3	86.0	36.0	61.0	94.0
62	S-95M62	93.5	86.0	34.0	59.0	92.0
65	S-95M65	97.3	86.0	38.0	63.0	96.0
67	S-95M67	99.8	86.0	38.0	63.0	96.0
70	S-95M70	104.0	86.0	40.0	65.0	98.0
73	S-95M73	107.0	86.0	40.0	67.0	100.0
75	S-95M75	107.0	86.0	42.0	69.0	102.0
76	S-95M76	111.0	86.0	42.0	69.0	102.0
80	S-95M80	116.0	86.0	42.0	69.0	102.0

FRACTIONAL # 5 SPLINE

A/F inch	MODEL NO.	D1 inch	D2 inch	T inch	C inch	OAL inch
3/4	S-9512	2.200	0.911	0.629	1.375	2.672
13/16	S-9513	2.200	0.979	0.629	1.375	2.672
7/8	S-9514	2.200	1.051	0.629	1.375	2.672
15/16	S-9515	2.200	1.123	0.629	1.375	2.672
1	S-9516	2.200	1.196	0.707	1.454	2.750
1.1/16	S-9517	2.200	1.268	0.707	1.454	2.750
1.1/8	S-9518	2.200	1.340	0.786	1.532	2.289
1.3/16	S-9519	2.200	1.413	0.864	1.611	2.908
1.1/4	S-9520	2.200	1.485	0.864	1.611	2.908
1.5/16	S-9521	2.200	1.557	0.864	1.611	2.908
1.3/8	S-9522	2.200	1.625	0.982	1.729	3.026
1.7/16	S-9523	2.200	1.697	0.982	1.729	3.026
1.1/2	S-9524	2.200	1.770	0.982	1.729	3.026
1.9/16	S-9525	2.200	1.842	0.982	1.729	3.026
1.5/8	S-9526	2.200	1.914	1.100	1.847	3.143
1.11/16	S-9527	2.200	1.986	1.100	1.847	3.143
1.3/4	S-9528	2.200	2.059	1.100	1.925	3.222
1.13/16	S-9529	2.200	2.131	1.100	1.925	3.222
1.7/8	S-9530	2.200	2.199	1.100	1.925	3.222
1.15/16	S-9531	2.200	2.276	1.100	2.004	3.301
2	S-9532	2.200	2.352	1.179	2.083	3.379
2.1/16	S-9533	2.200	2.420	1.179	2.083	3.379
2.1/8	S-9534	2.200	2.506	1.179	2.083	3.379
2.3/16	S-9535	2.200	2.560	1.336	2.318	3.615
2.1/4	S-9536	3.379	2.633	1.336	2.318	3.615
2.5/16	S-9537	3.379	2.705	1.336	2.318	3.615
2.3/8	S-9538	3.379	2.777	1.415	2.397	3.694
2.7/16	S-9539	3.379	2.850	1.415	2.397	3.694
2.1/2	S-9540	3.379	2.922	1.493	2.475	3.772
2.9/16	S-9541	3.379	2.994	1.493	2.475	3.772
2.5/8	S-9542	3.379	3.066	1.493	2.475	3.772
2.11/16	S-9543	3.379	3.134	1.572	2.554	3.851
2.3/4	S-9544	3.379	3.211	1.572	2.554	3.851
2.13/16	S-9545	3.379	3.279	1.572	2.554	3.851
2.7/8	S-9546	3.379	3.356	1.572	2.663	3.929
2.15/16	S-9547	3.379	3.423	1.650	2.711	4.008
3	S-9548	3.379	3.496	1.650	2.711	4.008
3.1/16	S-9549	3.379	3.572	1.650	2.711	4.008
3.1/8	S-9550	3.379	3.640	1.650	2.711	4.008
3.1/4	S-9552	3.379	3.785	1.729	2.947	4.244
3.5/16	S-9553	4.912	3.862	1.807	3.026	4.322
3.3/8	S-9554	5.039	3.385	1.850	3.149	4.921
3.1/2	S-9556	5.118	3.385	1.850	3.149	4.921
3.5/8	S-9558	5.275	3.385	1.968	3.149	4.921
3.3/4	S-9560	5.354	3.385	2.125	3.149	4.921
3.7/8	S-9562	5.433	3.385	2.125	3.149	4.921
4	S-9564	5.511	3.385	2.125	3.149	4.921



METRIC DEEP # 5 SPLINE



A/F mm	MODEL NO.	D1 mm	D2 mm	T mm	C mm	OAL mm
21	S-95M21L	48.0	56.0	14.0	115.0	160.0
22	S-95M22L	48.0	56.0	14.0	115.0	160.0
23	S-95M23L	48.0	56.0	14.0	115.0	160.0
24	S-95M24L	50.0	56.0	16.0	115.0	160.0
25	S-95M25L	50.0	56.0	16.0	115.0	160.0
26	S-95M26L	52.0	56.0	16.0	115.0	160.0
27	S-95M27L	52.0	56.0	16.0	115.0	160.0
28	S-95M28L	52.0	56.0	16.0	115.0	160.0
29	S-95M29L	54.0	56.0	16.0	115.0	160.0
30	S-95M30L	54.0	56.0	21.0	115.0	160.0
31	S-95M31L	60.0	56.0	21.0	115.0	160.0
32	S-95M32L	60.0	56.0	21.0	115.0	160.0
33	S-95M33L	60.0	56.0	21.0	115.0	160.0
34	S-95M34L	60.0	56.0	21.0	115.0	160.0
35	S-95M35L	60.0	56.0	21.0	115.0	160.0
36	S-95M36L	63.0	56.0	25.0	115.0	160.0
37	S-95M37L	63.0	56.0	25.0	115.0	160.0
38	S-95M38L	63.0	56.0	25.0	115.0	160.0
39	S-95M39L	67.0	56.0	25.0	115.0	160.0
40	S-95M40L	67.0	56.0	25.0	115.0	160.0
41	S-95M41L	67.0	56.0	28.0	115.0	160.0
42	S-95M42L	67.0	56.0	28.0	115.0	160.0
43	S-95M43L	67.0	56.0	28.0	115.0	160.0
44	S-95M44L	73.0	56.0	28.0	115.0	160.0
45	S-95M45L	73.0	56.0	28.0	115.0	160.0
46	S-95M46L	73.0	56.0	28.0	115.0	160.0
47	S-95M47L	73.0	56.0	28.0	115.0	160.0
48	S-95M48L	73.0	56.0	28.0	115.0	160.0
49	S-95M49L	73.0	56.0	28.0	115.0	160.0
50	S-95M50L	82.0	56.0	28.0	115.0	160.0
51	S-95M51L	82.0	56.0	28.0	115.0	160.0
52	S-95M52L	82.0	56.0	28.0	115.0	160.0

FRACTIONAL DEEP # 5 SPLINE

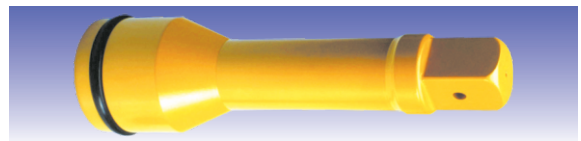


A/F inch	MODEL NO.	D1 inch	D2 inch	T inch	C inch	OAL inch
3/4	S-9512L	1.889	2.362	0.551	4.527	6.299
13/16	S-9513L	1.889	2.362	0.551	4.527	6.299
7/8	S-9514L	1.889	2.362	0.551	4.527	6.299
15/16	S-9515L	1.968	2.362	0.629	4.527	6.299
1	S-9516L	1.968	2.362	0.629	4.527	6.299
1.1/16	S-9517L	2.047	2.362	0.629	4.527	6.299
1.1/8	S-9518L	2.047	2.362	0.629	4.527	6.299
1.3/16	S-9519L	2.125	2.362	0.826	4.527	6.299
1.1/4	S-9520L	2.362	2.362	0.826	4.527	6.299
1.5/16	S-9521L	2.362	2.362	0.826	4.527	6.299
1.3/8	S-9522L	2.362	2.362	0.826	4.527	6.299
1.7/16	S-9523L	2.480	2.362	0.984	4.527	6.299
1.1/2	S-9524L	2.480	2.362	0.984	4.527	6.299
1.9/16	S-9525L	2.637	2.362	0.984	4.527	6.299
1.5/8	S-9526L	2.637	2.362	1.102	4.527	6.299
1.11/16	S-9527L	2.637	2.362	1.102	4.527	6.299
1.3/4	S-9528L	2.874	2.362	1.102	4.527	6.299
1.13/16	S-9529L	2.874	2.362	1.102	4.527	6.299
1.7/8	S-9530L	2.874	2.362	1.102	4.527	6.299
1.15/16	S-9531L	2.874	2.362	1.102	4.527	6.299
2	S-9532L	3.228	2.362	1.102	4.527	6.299
2.1/16	S-9533L	3.228	2.362	1.102	4.527	6.299
2.1/8	S-9534L	3.228	2.362	1.102	4.527	6.299
2.3/16	S-9535L	3.228	2.362	1.181	4.527	6.299
2.1/4	S-9536L	3.464	3.385	1.181	4.527	6.299
2.5/16	S-9537L	3.464	3.385	1.181	4.527	6.299
2.3/8	S-9538L	3.464	3.385	1.259	4.527	6.299
2.7/16	S-9539L	3.464	3.385	1.259	4.527	6.299
2.1/2	S-9540L	3.937	3.385	1.259	4.527	6.299
2.9/16	S-9541L	3.937	3.385	1.496	4.527	6.299
2.5/8	S-9542L	3.937	3.385	1.496	4.527	6.299
2.11/16	S-9543L	3.937	3.385	1.496	4.527	6.299

IMPACT ACCESSORIES

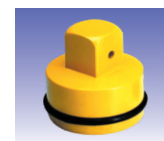
REGULAR EXTENSIONS

OAL mm (inch)	MODEL NO.	SHANK DIA mm (inch)	HEAD DIA mm (inch)
200 (8") 381 (15")	E9508 E9515	42.0 (1.653)	60.0 (2.362)



SQUARE ADAPTORS

SIZE	MODEL NO.	HEAD DIA mm (inch)	OAL mm (inch)
# 5 F X 1" M # 5 F X 1.1/2" M	A9516 A9524	60.0 (2.362)	90.0 (3.543) 100.0 (3.937)



UNIVERSAL JOINT

SPLINE DRIVE	MODEL NO.	DIA mm (inch)	OAL mm (inch)
# 5	# 5 SPLINE	60.0 (2.362)	152.0 (6.000)

