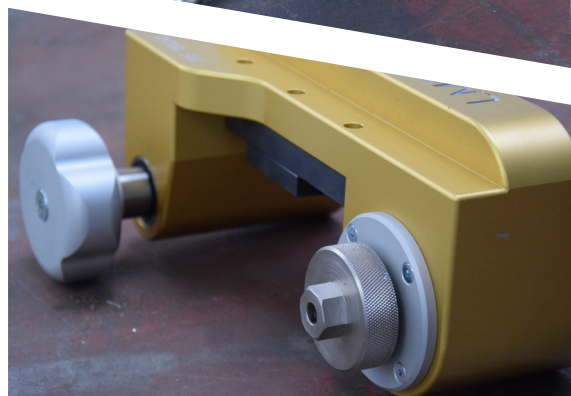
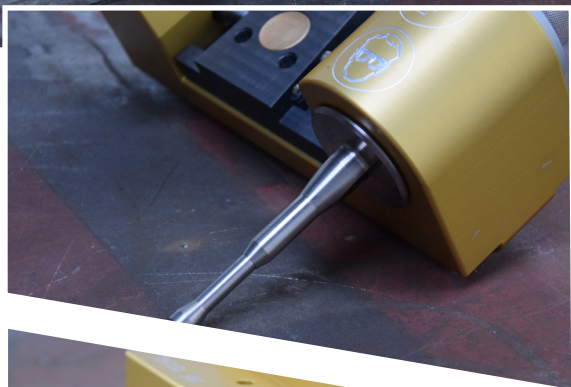
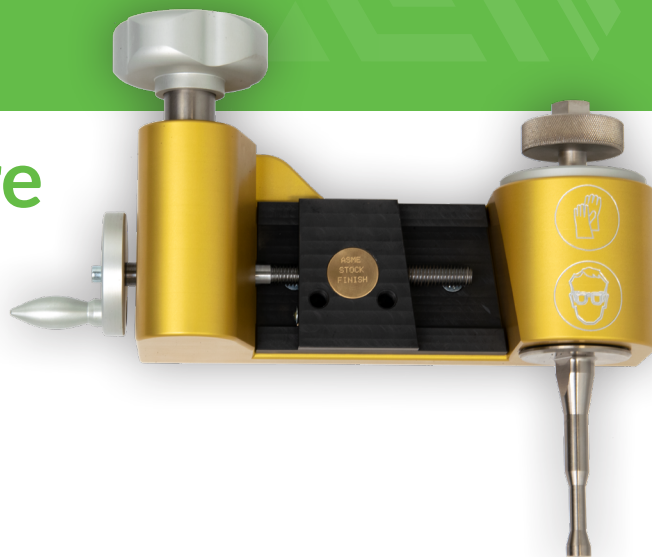


Technical Data

MiniFacer Small Bore

The MiniFacer SB has been specially developed to fit flanges with a smaller clamping capability. The simplified clamping system ensures that you have refaced flanges in no time.



Operational Data

	Min	Max
Internal Clamp Capacity	Ø 13,5mm Ø 0,53"	Ø 30,5mm Ø 1,18"
Facing Diameter	Ø 13,5mm Ø 0,53"	Ø 350mm Ø 14"

Dimensional Data

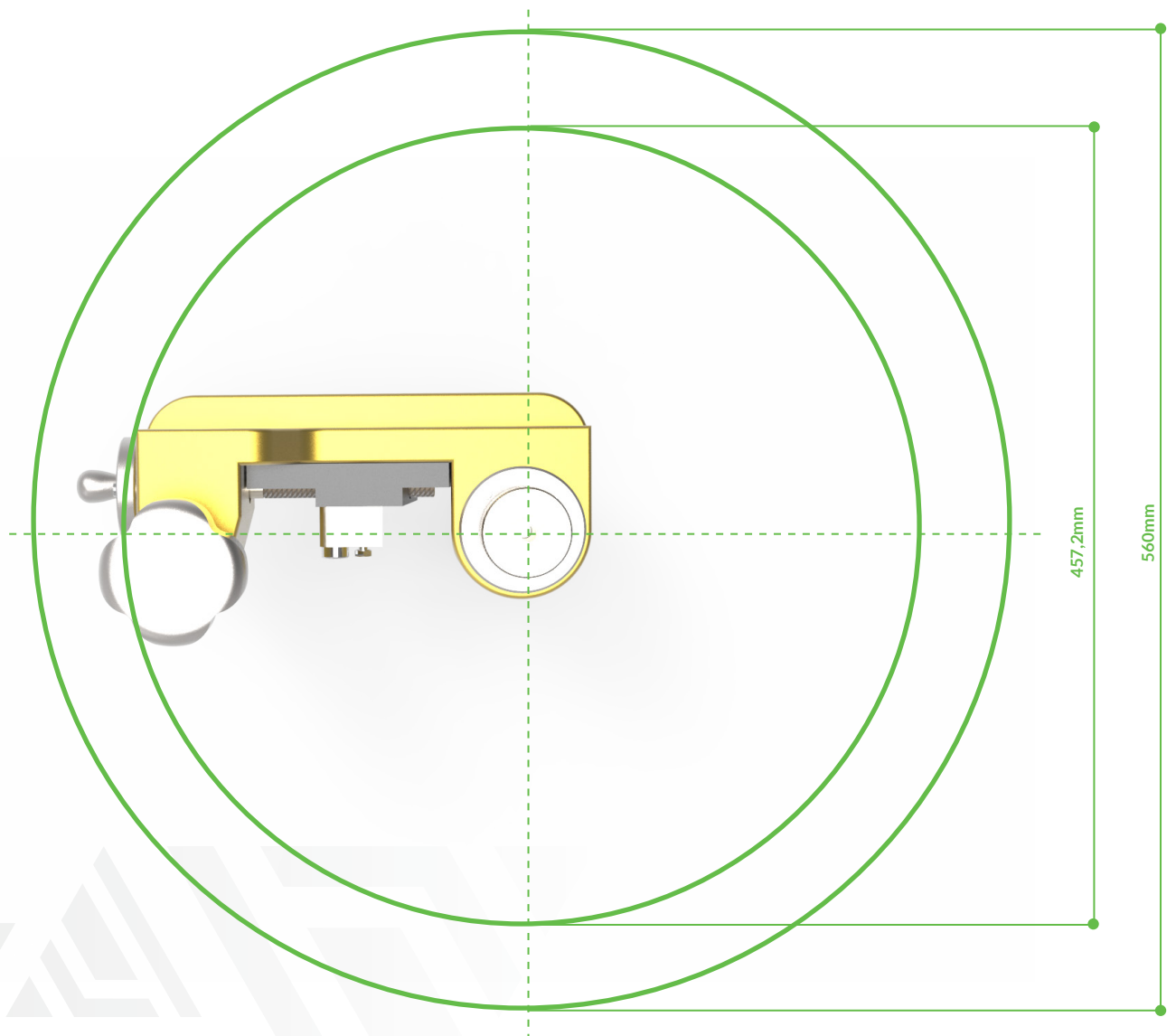
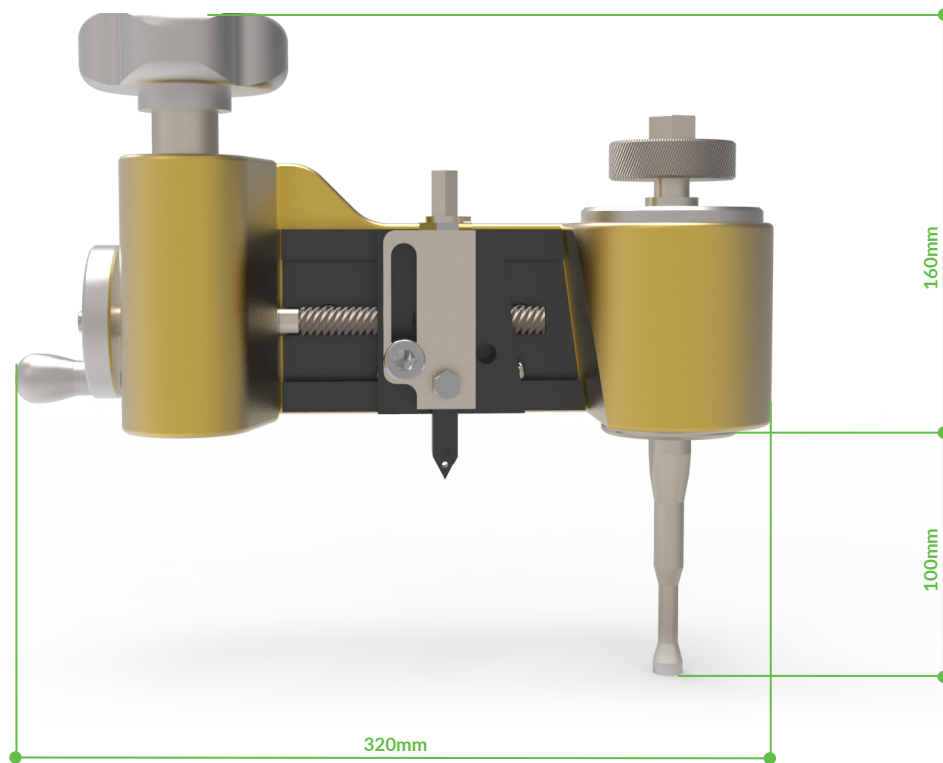
Case Dimensions	57 x 44 x 26 cm
Total Case Weight	15kg
MiniFacer Weight (ready to use)	6,5kg
Overall Length Machine	340mm / 13,5"
Height from Flange Face	200mm / 8"
Min. Swing Diameter	Ø 460mm / 18"

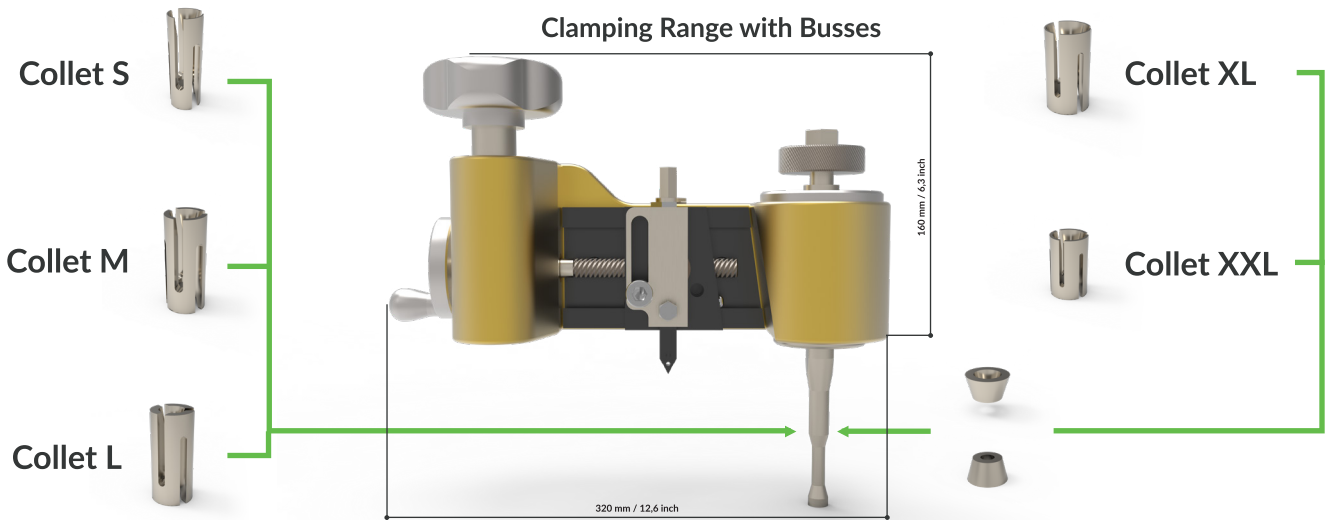
Completed With:

- Toolkit
- Mounting Clamps
- Case
- CE Certificate
- Screws
- Manual



Dimensional Data





Collet Sizes

	Min	Max
Small	Ø 13,5mm Ø 0,531"	Ø 16,5mm Ø 0,649"
Medium	Ø 16,5mm Ø 0,649"	Ø 19,5mm Ø 0,767"
Large	Ø 20,5mm Ø 0,807"	Ø 23,5mm Ø 0,925"
Extra Large	Ø 24mm Ø 0,944"	Ø 27mm Ø 1,062"
Extra Extra Large	Ø 27,5mm Ø 1,082"	Ø 30,5mm Ø 1,181"

Case Content



1. Toolpost
2. DIN912 - M10 x 35
3. Hammer
4. Collets
5. Allen Key 8
6. Cones
7. Cutting Tips
8. Cutting Tool Neutral
9. Cutting Tool 90° RH
10. Ring Spanner 10mm
11. Ring Spanner 19mm
12. Body
13. Slide Chart